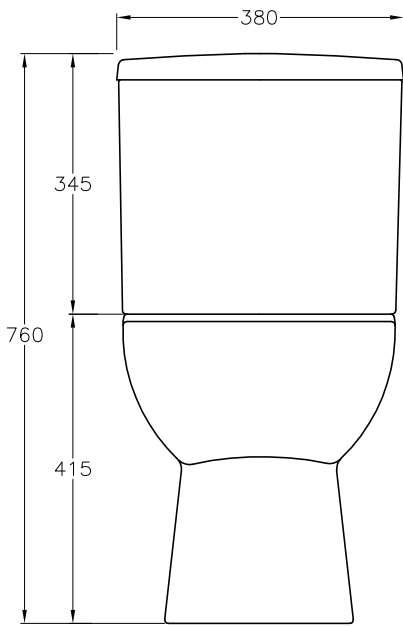
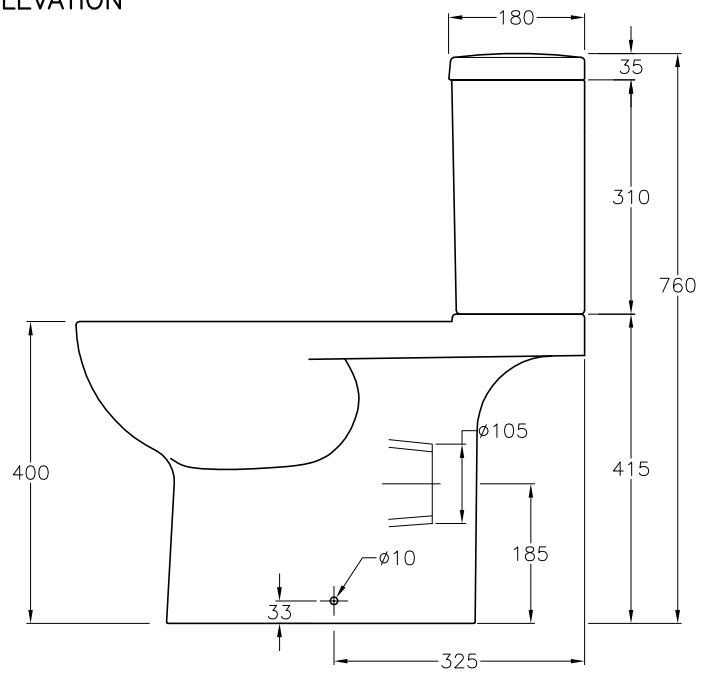


TOP ELEVATION



FRONT ELEVATION



SIDE ELEVATION