

Vicenza BTW

Ref. WBSC950155WW

Vicenza Close-coupled (Rimless) WC



Fixing kit: Included
Flushing system: Washdown
Installation type: Floorstanding
P-Trap Set Out (mm): 185
Rim type: Closed
S-Trap min setout (mm): 200
Shape: Round

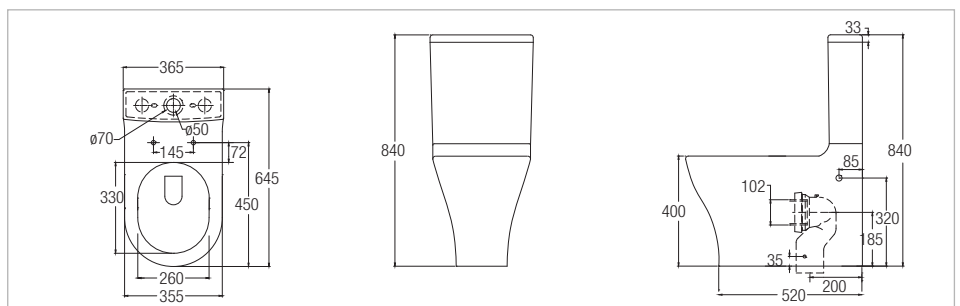
Dimensions

Length: 645 mm.
Width: 365 mm.
Height: 840 mm.

Compatible with

WBTS800149WW Treviso/Vicenza Soft Seat & Cover

Technical drawings



Vicenza BTW

Ref. WBSC950155WW

