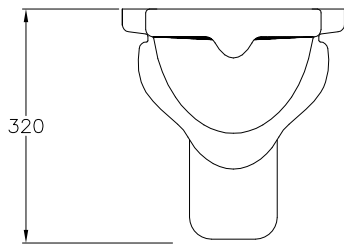
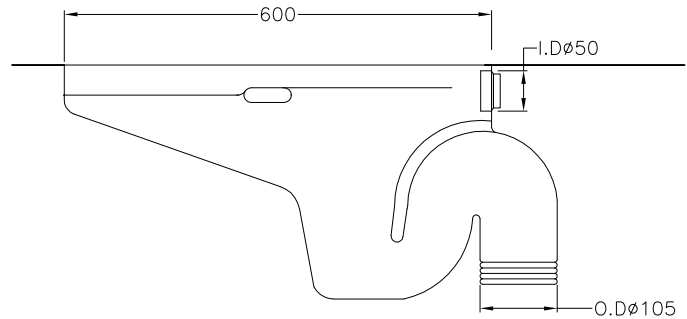


PLAN



FRONT ELEVATION



SIDE ELEVATION

ALL DIMENSIONS ARE IN MM.

1	1	Claywood S BI Squatting Pan	WBACFT211WW	VC
Item	Qty	Description	Item Code	Material

JohnsonSuisse



TITLE : Claywood S BI Squatting Pan
Product Dimension

DRAWN BY: Radzi CHECKED BY: APPROVED BY:

DATE: 16 April 2016 VERIFIED BY:

DRAWING NO: JSDD/ClaywoodSBI/16/01 SCALE: N.T.S.

1	Document Creation	16 April 2016	Radzi	-
Rev No	Revision note	Date	Name	Req. By