

Ferla-N

Ref. WBFA300773CP



Single lever 1/2" wall-mounted sink tap with swivel (round) spout & flange

Aerator type: Integrated aerator

Application place: Kitchen sink

Cold water tap

Finish: Chrome

Installation type: Wall-mounted

Maximum Continuous Working Pressure (kPa): 500

Minimum Continuous Working Pressure (kPa): 100

Number of bodies: 1 body

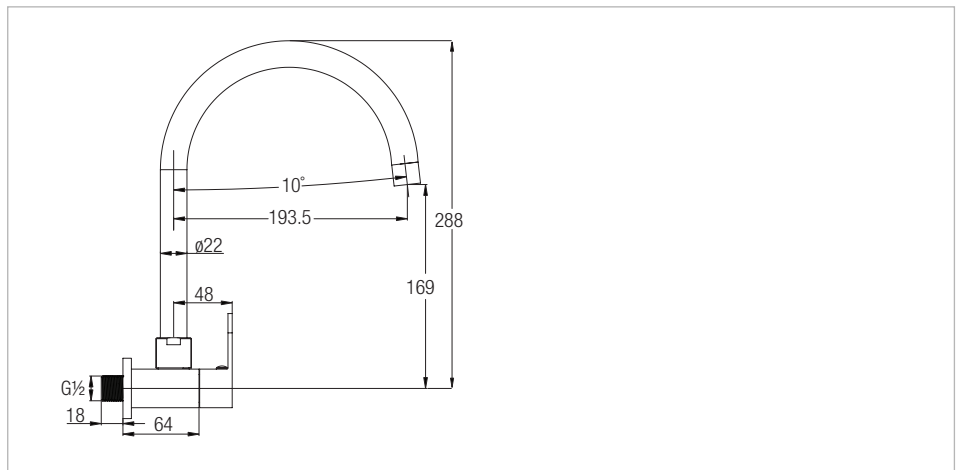
Swivel spout

Type of cartridge: Ceramic headwork

Waste not included

Water connection thread: 1/2"

Technical drawings



Ferla-N

Ref. WBFA300773CP

