

Ferla-N

Ref. WBFA300774CP

Single lever ½" deck-mounted sink tap with swivel (curve) spout



Aerator type: Integrated aerator

Application place: Kitchen sink

Cold water tap

Finish: Chrome

Installation type: Deck-mounted

Maximum Continuous Working Pressure (kPa): 500

Minimum Continuous Working Pressure (kPa): 100

Number of bodies: 1 body

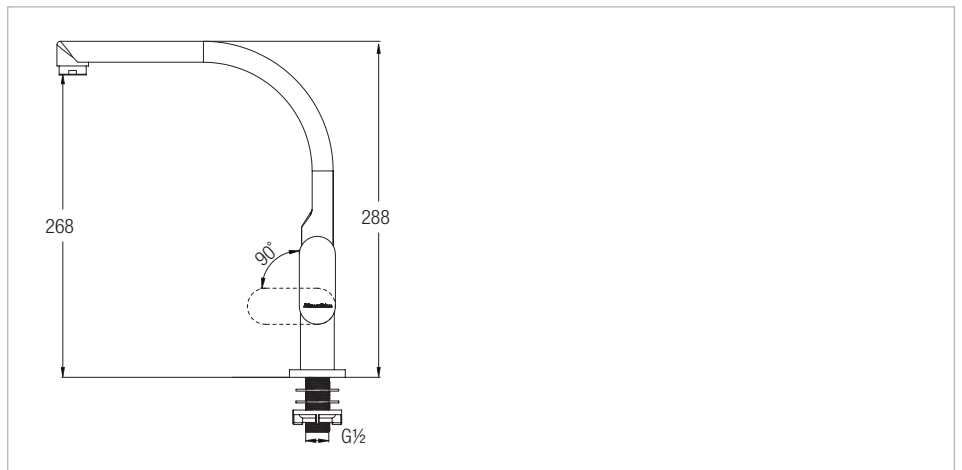
Swivel spout

Type of cartridge: Ceramic headwork

Waste not included

Water connection thread: 1/2"

Technical drawings



Ferla-N

Ref. WBFA300774CP

