

Ferla-N

Ref. WBFA300775CP

Single lever ½" wall-mounted sink tap with swivel (curve) spout & flange



Aerator type: Integrated aerator

Application place: Kitchen sink

Cold water tap

Finish: Chrome

Installation type: Wall-mounted

Maximum Continuous Working Pressure (kPa): 500

Minimum Continuous Working Pressure (kPa): 100

Number of bodies: 1 body

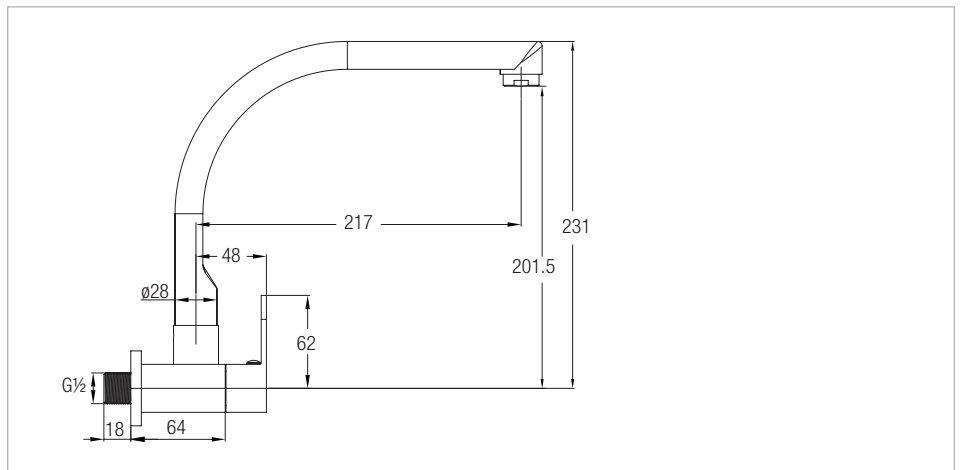
Swivel spout

Type of cartridge: Ceramic headwork

Waste not included

Water connection thread: 1/2"

Technical drawings



Ferla-N

Ref. WBFA300775CP

