



Single lever basin mixer with 1¼" pop-up waste

Aerator type: Coin slot PCA

Application place: Basin

Finish: Chrome

Flexible supply hoses included

Installation type: Deck-mounted

Maximum Continuous Working Pressure (kPa): 500

Minimum Continuous Working Pressure (kPa): 100

Number of bodies: 1 body

Pop-up waste

Type of cartridge: Ceramic

WELS Measure (Litres Per Minute): 4

WELS Rating (Star Rating): 1

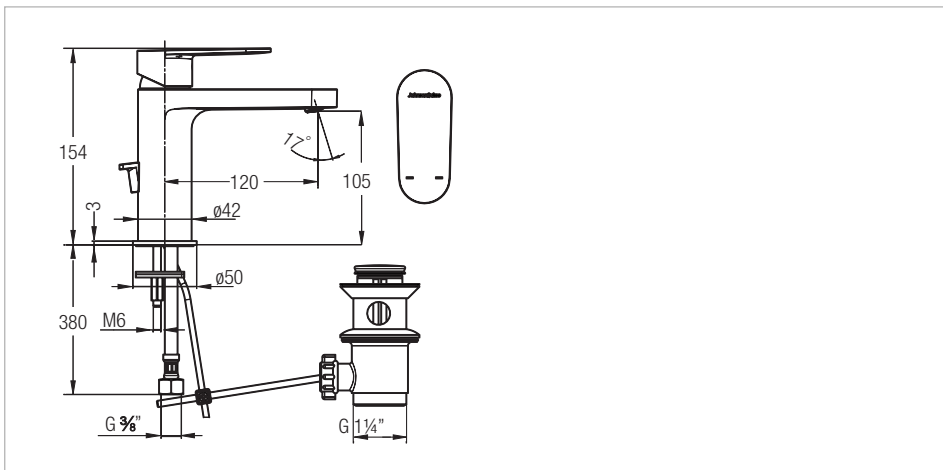
Waste not included

Water and energy saving

Water connection thread: 1/2"

Water flow restrictor

Technical drawings



Ferla-N

Ref. WBFA301310CP



Water Efficiency

Zero Tick ✓ Good ✓✓ Very Good ✓✓✓ Excellent

Water consumption: 5.20 litres/min
Type of product: Basin Taps and Mixers
Brand: Johnson Suisse
Model: WBFA301310CP Ferla - N
Registration No.: BST-2016/020295

PUB
Water by All Countries, Water by All
Actual water consumption may vary from test results
Compare all models at www.pub.gov.sg